



a Geberit company

2100 South Clearwater Drive
Des Plaines, IL 60018
Phone: 847-803-5000
Fax: 847-803-5454
www.chicagofaucets.com

ROUGH-IN

FITTING NO.

E7FCJKCP

SUBMITTED MODEL NO.

BY: JAR

DATE: 04-09-07

CHK: *[Signature]*

REV: 03-17-10

FOR TECHNICAL ASSISTANCE
1-800-TEC-TRUE (1-800-832-8783)

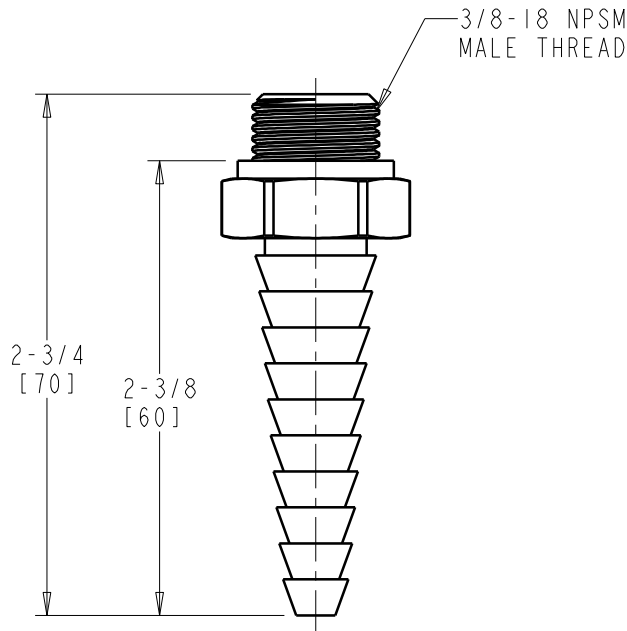
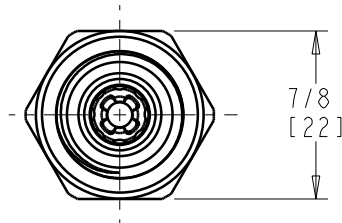
SUBMITTED AS SHOWN

SUBMITTED AS NOTED

SEE ATTACHED FOR
SUBMITTED MODIFICATION

JOB NAME

ITEM NO.



DIMENSIONS ARE IN INCHES AND [MILLIMETERS].

TECHNICAL DATA

- SERRATED HOSE NOZZLE WITH FLOW CONTROL
- FITS GROUP B TYPE SPOUTS
- INCLUDES WASHER
- 0.74 GPM [2.6 L/min.] MAXIMUM FLOW RATE
- FINISH: CHROME PLATE

ROUGHING IN DIMENSIONS MAY VARY AND ARE SUBJECT TO CHANGE. NO RESPONSIBILITY IS ASSUMED FOR USE OF SUPERCEDED OR VOIDED DATA.